

TASCAM

CA-XLR2d

佳能套件/富士胶片套件/模拟接口套件
麦克风适配器

中文(快速指南)

关于参考手册

本快速指南介绍了本设备的各项功能。

有关本设备所有功能的信息,请参阅参考手册。您可从TASCAM网站下载参考手册。



CA-XLR2d
https://tascam.jp/int/product/ca-xlr2d/docs

- TASCAM网站上提供了已确认可用于本设备的相机列表。

随机附件

本产品包含以下部件。
妥善保管包装材料,以备后续运输所需。
如果包装内的物品出现缺失或因运输导致损坏,请致电您购买本设备的商店。

每个套件中

- CA-XLR2d设备(带底部连接器盖).....x 1
- 麦克风支架(附在设备上).....x 1
- 电池座(带连接器盖).....x 1
- 3.5 mm (1/8") 立体声电缆.....x 1
- 快速指南(本文档)含保修卡.....x 1

佳能套件(CA-XLR2d-C)

- CA-AK1-C附件靴安装适配器(带连接器盖/附在设备上).....x 1
- CA-AK1-AN冷靴安装适配器(带接口连接器盖).....x 1

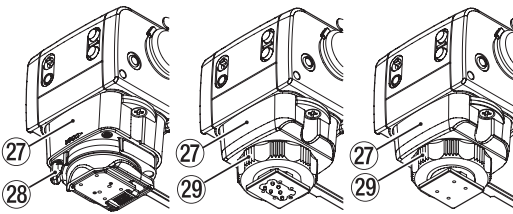
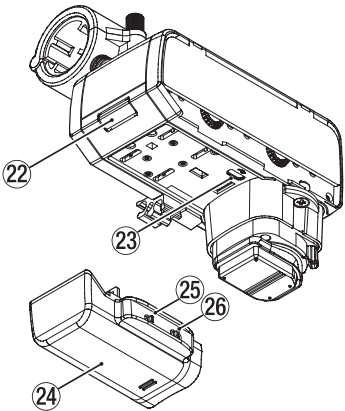
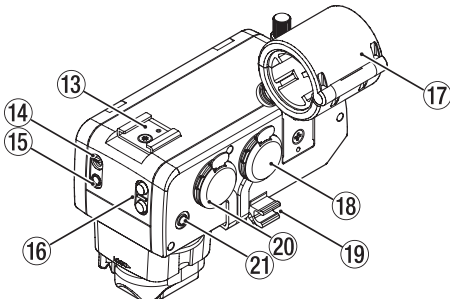
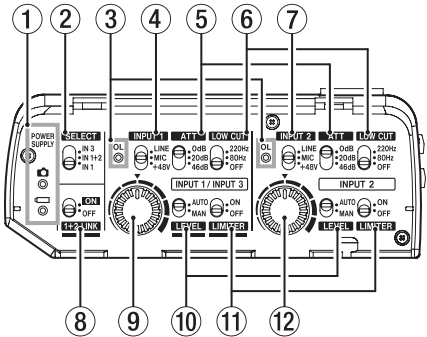
富士胶片套件(CA-XLR2d-F)

- CA-AK1-F附件靴安装适配器(带连接器盖/附在设备上).....x 1
- CA-AK1-AN冷靴安装适配器(带接口连接器盖).....x 1

模拟接口套件(CA-XLR2d-AN)

- CA-AK1-AN冷靴安装适配器(附在设备上).....x 1

部件的名称和功能



佳能套件(附CA-AK1-C) 富士胶片套件(附CA-AK1-F) 模拟接口套件(附CA-AK1-AN)

1 POWER SUPPLY指示灯

通过相机供电时 指示灯亮,通过外接电源供电时 指示灯亮。当剩余电池电量变低时,指示灯将快速闪烁。

在这种情况下下应更换电池。

2 SELECT 开关

用于切换相机录制声道的输入源设置。

3 OL (过载) 指示灯

4 INPUT 1开关

注意

• 当设置为+48V时,请勿连接或断开麦克风。否则,可能产生较大噪声并损坏本设备及所连接的设备。

• 连接不需要幻象电源的麦克风时,请勿将INPUT开关设置为+48V。

5 ATT (衰减器) 开关

6 LOW CUT开关

7 INPUT 2开关

注意

• 当设置为+48V时,请勿连接或断开麦克风。否则,可能产生较大噪声并损坏本设备及所连接的设备。

• 连接不需要幻象电源的麦克风时,请勿将INPUT开关设置为+48V。

8 1+2 LINK开关

将INPUT 2的三个设置关联到INPUT 1,从而可同时控制它们的输入音量(9,10)、LEVEL开关(11)和LIMITER开关(12)的设置。

此设置在SELECT 开关(2)设置为“IN 1”或“IN 1+2”时生效。

9 INPUT 1/INPUT 3音量

10 LEVEL开关

11 LIMITER开关

12 INPUT 2音量

13 附件靴(冷靴)

注意

请勿连接带有连接器或其他突出部件的附件靴设备。否则,可能会损坏本设备和连接的设备。

14 OUTPUT开关

根据模拟输出的使用方式进行设置。将模拟音频连接到相机时将开关设置为 。使用耳机监听时设置为 。

15 OUTPUT插孔

16 VOLUME +/-按钮

17 麦克风支架

18 INPUT 1插孔

19 电缆支架

20 INPUT 2插孔

21 INPUT 3插孔

22 电池座释放按钮

23 USB端口

此为专门用于固件更新的micro-B型USB端口。例如,不能将其用于为设备供电。

24 电池座

当无法从相机供电、不想使用相机电池或由于相机电池、操作条件或其他因素而存在其他供电限制时,可使用外接电池为本设备供电。

25 BATTERY POWERED开关

将此开关设置为“ON”以使用外接电池为设备供电,或将此开关设置为“OFF”以从相机为设备供电。

注意

• 首次连接电池座并打开电源时,将此开关设置为“OFF”。

• 由于CA-XLR2d-C和CA-XLR2d-F需要通过相机进行控制,因此当相机没有电源时,它们无法仅使用五号电池进行操作。

26 电池类型开关

27 附件靴安装适配器

• 三种类型的适配器可用于不同的相机,连接与正在使用的相机相匹配的适配器,并牢固地拧紧连接螺钉。(您可以自己更换。)

• 有关更换适配器的详细信息,请参阅参考手册。

• TASCAM网站(https://tascam.jp/int/product/ca-xlr2d/docs)上提供了已确认可用于本设备的相机列表。

注意

• 请勿用手直接接触连接器。

• 将本设备与相机连接或断开连接时,请务必关闭相机电源。

• 将本设备连接到相机后,请牢固拧紧以防止掉落。

28 锁定杆(CA-AK1-C)

29 紧固转盘(CA-AK1-F/CA-AK1-AN)

使用注意事项

- 在录制过程中触摸本设备可能会导致录入噪音。
- 在视频录制过程中,可能会录入来自相机和镜头的操作和其他活动的噪音。
- 本设备在无线电塔和其他产生强无线电波或磁场的源附近可能无法正常工作。
- 本设备不具备任何特殊的防水或防尘功能。在室外使用时要小心接触水和灰尘。
- 运输本设备时,请将其从相机上拆下,然后将连接器盖安装到附件靴连接区域。
- 录制期间请勿更改两个INPUT开关。否则,可能会产生噪音。

规格/额定值

电源

2节五号电池(碱性、镍氢或锂离子)
通过兼容相机的附件靴供电

功耗

2.0 W(最大)

尺寸/重量

CA-XLR2d-C: 88.2 mm(宽) × 119.1 mm(高) × 110.0 mm(深) / 341g
(不包含凸起部分,附麦克风支架,未附电池座)
CA-XLR2d-F: 88.2 mm(宽) × 119.1 mm(高) × 110.0 mm(深) / 331g
(不包含凸起部分,附麦克风支架,未附电池座)
CA-XLR2d-AN: 88.2 mm(宽) × 119.1 mm(高) × 110.0 mm(深) / 357g
(不包含凸起部分或电池,附麦克风支架,附电池座)

工作温度范围

0-40°C

- 本手册中的插图可能与实际产品存在部分不同。
- 为进行产品改进,规格和外观如有变更,恕不另行通知。

放置和使用时的注意事项

- 本设备的工作温度范围为0-40°C。
- 严禁在下列位置进行设备安装。这样做会使音质变差和/或导致故障。

存在明显振动的区域
靠近门窗或其他可能暴露在直射阳光下的区域
在加热器或其他高温区域
低温区域
非常潮湿或通风不良的区域
多尘区域
可接触到雨水或其他水源的区域

注意冷凝

如果将本设备由低温区域移至高温区域,或在温度突变区域内使用本设备时,可能存在冷凝风险。为避免发生此情况,或如果发生此情况时,将本设备放置在新的室温下一或两个小时再开启。

清洁设备

使用软质干布擦拭设备。请勿使用化学清洁剂、稀释剂、酒精或其他化学试剂擦拭。否则,可能损坏表面或引起变色。

关于TASCAM客户支持服务中心

仅支持在该国家/地区购买的TASCAM产品及提供保修。
要在购买后获得支持,在TEAC全球网站的TASCAM代理列表页面内(https://teac-global.com/),搜索您购买本产品的地区的当地公司或代表,并联系该组织。
当查询时,需要您提供您购买所在地的店铺或网站的网址(URL)。可能还需要保修卡和购买证明。

重要安全操作说明

警告: 为避免发生火灾或触电,不要使本设备受到雨淋或受潮。

- 仔细阅读此操作说明。
- 妥善保管此操作说明。
- 注意所有警告事项。
- 遵守所有操作说明。
- 不要在有水区域附近使用本设备。
- 仅允许使用干布清洁设备。
- 不要堵塞设备通风口,按照产品制造商操作说明中的相关规定进行安装。
- 不要在散热器、热风调节器、烘箱或其他可产生热量的仪器(包括放大器)等热源附近安装设备。
- 仅允许使用产品制造商指定的附件/配件。
- 雷雨天气或长时间未使用时,应拔掉设备电源插头。
- 仅允许专业维修人员进行维修。设备出现任何形式的损坏时必须进行维修,例如:电源线或插头损坏、液体溅入或异物落入设备内、设备受到雨淋或受潮、操作不正常或发生掉落。

- 由于来自于耳机的过大声压(音量)可能导致听力受损,因此,在产品使用过程中,佩戴耳机时,应遵守相关注意事项。
- 如果您所购买的设备遇到此类问题,请致电TEAC维修人员。故障设备完成维修前,不要使用。

警告

- 为了防止可能的听力损伤,请勿在高音的模式下长时间进行聆听。



注意

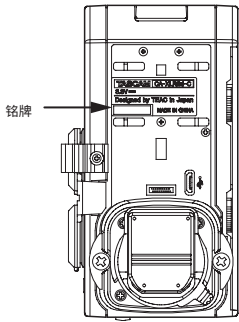
- 不要将本设备放置在滴水或溅水区域。
- 不要在本设备上放置装有液体的物品,例如:花瓶。
- 不要在密闭空间内安装本设备,例如:书柜或类似物品。
- 如果本设备使用电池(包括电池组或内置式电池),不要将其放置在阳光下、火源或高温区域。
- 由于本设备使用可更换式锂电池,若更换为型号不匹配的电池,可能导致爆炸。仅允许更换为相同或同等类型的电池。

关于电池的注意事项

本产品使用电池。电池使用不当可导致泄漏、破裂或其他故障。使用电池时,请务必遵守下列注意事项。

- 不要对非充电电池充电。电池可能破裂或泄漏,引起火灾或伤害。
- 安装电池时,请注意极性指示(正/负(⊕/⊖)方向),并按照说明正确装入电池仓内。如极性装反,电池可能会破裂或泄漏,引起火灾、人身伤害或污染周围部件。
- 当保存或弃置电池时,用绝缘胶带或类似物件隔离电池端子,以防止其接触其他电池或金属物体。
- 丢弃废旧电池时,请按照电池上的处置说明和当地的处置法规进行处理。
- 请勿使用非指定的电池。不要混用新旧电池或不同类型的电池。电池可能破裂或泄漏,引起火灾、人身伤害或污染周围部件。
- 不要将电池与小的金属物品一同携带或存放。电池可能短路,引起泄漏、破裂或其他故障。
- 不要加热或拆卸电池。不要将电池投入火中或水中。电池可能破裂或泄漏,引起火灾、人身伤害或污染周围部件。
- 如果电池漏液,在插入新电池之前,清除电池仓内的所有液体。电池液进入眼中将会损坏视力。如果电池液进入眼睛,请一定不能揉眼睛,先用清水彻底冲洗,然后立即咨询医生。如果电池液溅到身体上或衣服上,可能引起皮肤损伤或烧伤。如果发生此情况,用清水冲洗,然后立即就医。
- 安装和更换电池时,应关闭设备电源。
- 如果您长时间不使用设备,请取出电池。电池可能破裂或泄漏,引起火灾、人身伤害或污染周围部件。如果电池漏液,在插入新电池之前,清除电池仓内的所有液体。
- 不要拆卸电池。电池内的酸性物质可能损伤皮肤或衣物。

铭牌位于设备底部,如下图所示。



使用说明书发行日期: 2022年3月

生产商: 蒂雅克株式会社

地址: 东京都多摩市落合一丁目47番地

WARRANTY

<In the United States>

This warranty gives you specific legal rights and you may also have other rights which vary from state to state. This warranty is only valid within the country the unit was originally purchased.

WHAT IS COVERED AND WHAT IS NOT COVERED

Except as specified below, this warranty covers all defects in materials and workmanship in this product. The following are not covered by the warranty:

- Damage to or deterioration of the external cabinet.
- Damage resulting from accident, misuse, abuse or neglect.
- Damage resulting from failure to perform basic daily maintenance and/or calibration or otherwise resulting from failure to follow instructions contained in your owner's manual.
- Damage occurring during shipment of the product. (Claims must be presented to the carrier)
- Damage resulting from repair or attempted repair by anyone other than TEAC or an authorized TASCAM service station.
- Damage resulting from causes other than product defects, including lack of technical skill, competence, or experience of the user.
- Damage to any unit which has been altered or on which the serial number has been defaced, modified or is missing.

WHO IS COVERED UNDER THE WARRANTY

This warranty may be enforced only by the original purchaser. This warranty is not valid if the product was purchased through an unauthorized dealer.

LENGTH OF WARRANTY

All parts except heads and disk drives are warranted for one (1) year from the date of original purchase. Heads and disk drives are warranted for ninety (90) days from date of original purchase. Labor is warranted for ninety (90) days from date of original purchase.

WHAT WE WILL PAY FOR

We will pay all labor and material expenses for items covered by the warranty. Payment of shipping charges is discussed in the next section of this warranty.

HOW YOU CAN GET WARRANTY SERVICE

Your unit must be serviced by an authorized TASCAM service station in the United States. (This warranty is not enforceable outside the U.S.) If you are unable to locate an authorized TASCAM service station in your area, please contact us. We either will refer you to an authorized service station or instruct you to return the unit to the factory. Whenever warranty service is required, you must present a copy of the original dated sales receipt from an Authorized TASCAM Dealer. You must pay any shipping charges if it is necessary to ship the product to service. However, if the necessary repairs are covered by the warranty, we will pay return surface shipping charges to any destination within the United States.

LIMITATION OF IMPLIED WARRANTIES

Any implied warranties, INCLUDING WARRANTIES OF MERCHANTABILITY AND FITNESS FOR A PARTICULAR PURPOSE, are limited in duration to the length of this warranty.

EXCLUSION OF DAMAGES

TEAC's liability for any defective product is limited to repair or replacement of the product, at TEAC's option. TEAC shall not be liable for:

- Damages based upon inconvenience, loss of use of the product, loss of time interrupted operation or commercial loss; or
 - Any other damages, whether incidental, consequential or otherwise.
- Some states do not allow limitations on how long an implied warranty lasts and/or do not allow the exclusion or limitation of incidental or consequential damages, so the above limitations and exclusions may not apply to you.

To locate an Authorized Service Center in Your Area

CALL 1-323-726-0303

<Europe>

This product is subject to the legal warranty regulations of the country of purchase. In case of a defect or a problem, please contact the dealer where you bought the product.

Ce produit est sujet aux réglementations concernant la garantie légale dans le pays d'achat. En cas de défaut ou de problème, veuillez contacter le revendeur chez qui vous avez acheté le produit.

Dieses Gerät unterliegt den gesetzlichen Gewährleistungsbestimmungen des Landes, in dem es erworben wurde. Bitte wenden Sie sich im Gewährleistungsfall an den Händler, bei dem sie das Gerät erworben haben.

Questo apparecchio è conforme alle norme sulla garanzia vigenti nel rispettivo Paese in cui esso è stato acquistato. Si prega di rivolgersi al proprio commerciante, presso il quale è stato acquistato l'apparecchio, nel caso in cui si voglia richiedere una prestazione in garanzia. Las condiciones de garantía de este aparato están sujetas a las disposiciones legales sobre garantía del país en el que ha sido adquirido. En caso de garantía, debe dirigirse al establecimiento donde adquirió el aparato.

<In other countries/areas>

This warranty gives you specific legal rights, and you may also have other rights that vary by country, state or province.

If you have a warranty claim or request, please contact the dealer where you bought the product.

该保证书赋予了顾客特定的合法权利,并且因国家、州或省等地域的不同,顾客可能拥有其他权利。如需申请或要求保修,请与购买本产品的销售店进行联系。

If you require repair services for your TASCAM equipment, please contact the dealer where the product was purchased from or the TASCAM Distributor in your country. A list of TASCAM Distributors can be found on our website at: https://teac-global.com/

Model / Modèle / Modell / Modello / Modelo / 型号

CA-XLR2d

Serial No. / No de série / Seriennummer
Numero di serie / Número de serie / 序列号

Date of purchase / Date de l'achat / Datum des Kaufs
Data dell'acquisto / Fecha de compra / 买日期

Owner's name / Nom du propriétaire / Name des Eigentümers
Nome del proprietario / Nombre del propietario / 顾客姓名

Address / Adresse / Adresse / Indirizzo / Dirección / 顾客地址

Dealer's name / Nom du revendeur / Name des Händlers
Nome del commerciante / Nombre del establecimiento / 销售店名

Dealer's address / Adresse du revendeur / Adresse des Händlers
Indirizzo del commerciante / Dirección del establecimiento / 销售店

TASCAM

https://teac-global.com/

Trademarks

- TASCAM is a registered trademark of TEAC Corporation.
- Other company names, product names and logos in this document are the trademarks or registered trademarks of their respective owners.
- Information about open source copyrights and licenses is provided in the "Important notice regarding software" section of the Reference Manual.

TASCAM

CA-XLR2d

Canon Kit / FUJIFILM Kit / Analog Interface Kit
Microphone Adapter

ENGLISH (Quick Guide)

Note about the Reference Manual

This Quick Guide explains each of the functions of this unit. Please see the Reference Manual for information about all the unit's functions. You can download the Reference Manual from the TASCAM website.



CA-XLR2d
<https://tascam.jp/int/product/ca-xlr2d/docs>

- A list of cameras that have been confirmed for use with this unit is available on the TASCAM website.

Included items

This product includes the following items. Please contact the store where you purchased this unit if any of these items are missing or have been damaged during transportation.

In every kit

- CA-XLR2d unit (with bottom connector cover).....x 1
- Mic holder (attached to unit).....x 1
- Battery holder (with connector cover).....x 1
- 3.5mm (1/8") stereo cable.....x 1
- Quick Guide (this document) including warranty.....x 1

Canon Kit (CA-XLR2d-C)

- CA-AK1-C accessory shoe mount adapter (with connector cover/attached to unit).....x 1
- CA-AK1-AN cold shoe mount adapter (with interface connector cover)..x 1

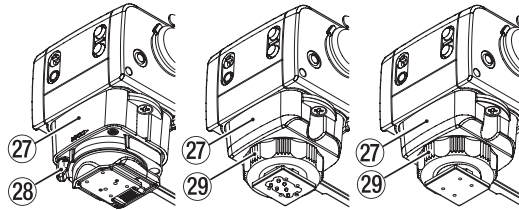
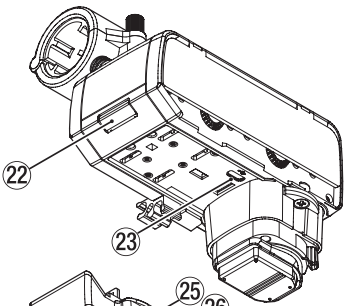
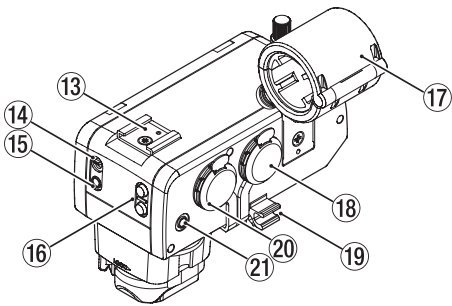
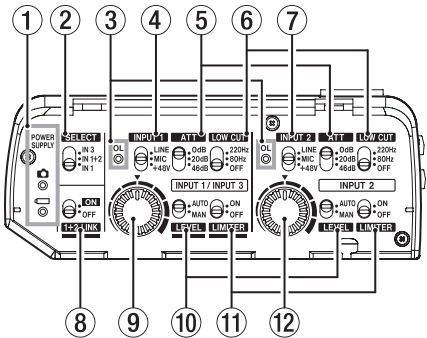
FUJIFILM Kit (CA-XLR2d-F)

- CA-AK1-F accessory shoe mount adapter (with connector cover/attached to unit).....x 1
- CA-AK1-AN cold shoe mount adapter (with interface connector cover)..x 1

Analog Interface Kit (CA-XLR2d-AN)

- CA-AK1-AN cold shoe mount adapter (attached to unit).....x 1

Names and functions of parts



Canon Kit (CA-AK1-C attached) FUJIFILM Kit (CA-AK1-F attached) Analog Interface Kit (CA-AK1-AN attached)

1 POWER SUPPLY indicators

The indicator lights when powered by the camera, and the indicator lights when powered by external batteries. The indicator will blink rapidly when the remaining battery charge becomes low. Change the battery/batteries in this case.

2 SELECT switch

Use this to switch the input source setting for the camera recording channel.

3 OL (overload) indicators

4 INPUT 1 switch

ATTENTION

- Do not connect or disconnect mics when this is set to +48V. Doing so could cause a loud noise and might damage this unit and connected equipment.
- Do not set the INPUT switch to +48V when connecting mics that do not require phantom power.

5 ATT (attenuator) switches

6 LOW CUT switches

7 INPUT 2 switch

ATTENTION

- Do not connect or disconnect mics when this is set to +48V. Doing so could cause a loud noise and might damage this unit and connected equipment.
- Do not set the INPUT switch to +48V when connecting mics that do not require phantom power.

8 1+2 LINK switch

This links three settings for INPUT 2 to INPUT 1, enabling their input volume (9), (12), LEVEL (10) and LIMITER switch (11) settings to be controlled together.

This setting takes effect when the SELECT switch (2) is set to "IN 1" or "IN 1+2".

9 INPUT 1 / INPUT 3 volume

10 LEVEL switches

11 LIMITER switches

12 INPUT 2 volume

13 Accessory shoe (cold shoe)

ATTENTION

Do not connect accessory shoe devices that have connectors or other parts that stick out. Doing so could damage this unit and the connected device.

14 OUTPUT switch

Set this according to how the analog output will be used. Set the switch to when connecting analog audio to a camera. Set it to when using it to monitor with headphones.

15 OUTPUT jack

16 VOLUME +/- buttons

17 Mic holder

18 INPUT 1 jack

19 Cable holder

20 INPUT 2 jack

21 INPUT 3 jack

22 Battery holder release button

23 USB port

This is a micro-B USB port specifically for firmware updates. This cannot be used to power the unit, for example.

24 Battery holder

External batteries can be used to power this unit when, for example, power cannot be supplied from the camera, you do not want to use the camera battery or there are other limitations to power supply due to the camera battery, operating conditions or other factors.

25 BATTERY POWERED switch

Set this switch to "ON" to power the unit with the external batteries, or set this to "OFF" to power the unit from the camera.

ATTENTION

- When connecting the battery holder and turning the power on for the first time, set this switch to "OFF".
- Since the CA-XLR2d-C and CA-XLR2d-F require control from a camera, they cannot be operated using just AA batteries when there is no power from a camera.

26 Battery type switch

27 Accessory shoe mount adapter

- Three types of adapters are available for different cameras. Connect the adapter that matches the camera being used, and securely tighten the attachment screws. (You can do this replacement yourself.)
- See the Reference Manual for details about changing adapters.

- A list of cameras that have been confirmed for use with this unit is available on the TASCAM website (<https://tascam.jp/int/product/ca-xlr2d/docs>).

ATTENTION

- Do not directly touch the connectors with hands.
- Always turn the camera power off when connecting or disconnecting this unit with a camera.
- After connecting this unit to a camera, tighten it securely to prevent it from falling off.

28 Lock lever (CA-AK1-C)

29 Tightening dial (CA-AK1-F/CA-AK1-AN)

Precautions for use

- Touching this unit during recording might cause noise to be recorded.
- During video recording, noises from operation and other activity of the camera and lens might be recorded.
- This unit might not function properly near radio towers and other sources that generate strong radio waves or magnetism.
- This unit does not have any special waterproofing or resistance to dust or water. Be careful of exposure to water and dust when using it outside.
- When transporting this unit, detach it from the camera and attach the connector cover to the shoe mount connection area.
- Do not change the two INPUT switches during recording. Doing so could cause noise.

Specifications/rated values

Power

2 AA batteries (alkaline, NiMH or lithium-ion)
Supplied through accessory shoe of compatible camera

Power consumption

2.0 W (maximum)

Dimensions / Weight

CA-XLR2d-C: 88.2 mm (W) x 119.1 mm (H) x 110.0 mm (D) / 341g
(not including protrusions, mic holder attached, battery holder not attached)

CA-XLR2d-F: 88.2 mm (W) x 119.1 mm (H) x 110.0 mm (D) / 331g
(not including protrusions, mic holder attached, battery holder not attached)

CA-XLR2d-AN: 88.2 mm (W) x 119.1 mm (H) x 110.0 mm (D) / 357g
(not including protrusions or batteries, mic holder attached, battery holder attached)

Operating temperature range

0 - 40°C (32 - 104°F)

- Illustrations in this manual might differ in part from the actual product.
- Specifications and external appearance might be changed without notification to improve the product.

Precautions for placement and use

- The operating temperature range of this unit is 0-40 °C.
- Do not install this unit in the following types of locations. Doing so could make the sound quality worse or cause malfunction.

Places with significant vibrations
Next to a window or in another location exposed to direct sunlight
Near heaters or other extremely hot places
Extremely cold places
Very humid or poorly ventilated places
Very dusty places
Places exposed directly to rain or other water

Beware of condensation

Condensation could occur if the unit is moved from a cold place to a warm place, it is used immediately after a cold room has been heated or it is otherwise exposed to a sudden temperature change.

To prevent this, or if this occurs, let the unit sit for one or two hours at the new room temperature before using it.

Cleaning the unit

Use a dry soft cloth to wipe the unit clean. Do not wipe with chemical cleaning cloths, thinner, alcohol or other chemical agents. Doing so could damage the surface or cause discoloration.

About TASCAM customer support service

TASCAM products are supported and warrantied only in their country/region of purchase.

To receive support after purchase, on the TASCAM Distributors list page of the TEAC Global Site (<https://teac-global.com/>), search for the local company or representative for the region where you purchased the product and contact that organization.

When making inquiries, the address (URL) of the shop or web shop where it was purchased and the purchase date are required.

Moreover, the warranty card and proof of purchase might also be necessary.

IMPORTANT SAFETY INSTRUCTIONS

WARNING: TO PREVENT FIRE OR SHOCK HAZARD, DO NOT EXPOSE THIS APPLIANCE TO RAIN OR MOISTURE.

1. Read these instructions.
2. Keep these instructions.
3. Heed all warnings.
4. Follow all instructions.
5. Do not use this apparatus near water.
6. Clean only with dry cloth.
7. Do not block any ventilation openings. Install in accordance with the manufacturer's instructions.
8. Do not install near any heat sources such as radiators, heat registers, stoves, or other apparatus (including amplifiers) that produce heat.
9. Only use attachments/accessories specified by the manufacturer.
10. Unplug this apparatus during lightning storms or when unused for long periods of time.
11. Refer all servicing to qualified service personnel. Servicing is required when the apparatus has been damaged in any way, such as power-supply cord or plug is damaged, liquid has been spilled or objects have fallen into the apparatus, the apparatus has been exposed to rain or moisture, does not operate normally, or has been dropped.

- Caution should be taken when using earphones or headphones with the product because excessive sound pressure (volume) from earphones or headphones can cause hearing loss.
- If you are experiencing problems with this product, contact TEAC for a service referral. Do not use the product until it has been repaired.

WARNING

- To prevent possible hearing damage, do not listen at high volume levels for long periods



CAUTION

- Do not expose this apparatus to drips or splashes.
- Do not place any objects filled with liquids, such as vases, on the apparatus.
- Do not install this apparatus in a confined space such as a book case or similar unit.
- If the product uses batteries (including a battery pack or installed batteries), they should not be exposed to sunshine, fire or excessive heat.
- CAUTION for products that use replaceable lithium batteries: there is danger of explosion if a battery is replaced with an incorrect type of battery. Replace only with the same or equivalent type.

CAUTIONS ABOUT BATTERIES

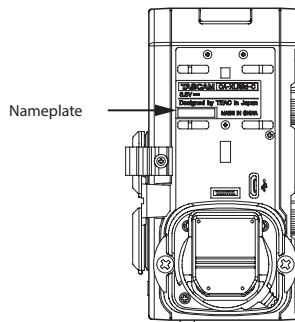
This product uses batteries. Misuse of batteries could cause a leak, rupture or other trouble. Always abide by the following precautions when using batteries.

- Never recharge non-rechargeable batteries. The batteries could rupture or leak, causing fire or injury.
- When installing batteries, pay attention to the polarity indications (plus/minus (+/-) orientation), and install them correctly in the battery compartment as indicated. Putting them in backward could make the batteries rupture or leak, causing fire, injury or stains around them.
- When you store or dispose batteries, isolate their terminals with insulation tape or something like that to prevent them from contacting other batteries or metallic objects.
- When throwing used batteries away, follow the disposal instructions indicated on the batteries and the local disposal laws.
- Do not use batteries other than those specified. Do not mix and use new and old batteries or different types of batteries together. The batteries could rupture or leak, causing fire, injury or stains around them.
- Do not carry or store batteries together with small metal objects. The batteries could short, causing leak, rupture or other trouble.
- Do not heat or disassemble batteries. Do not put them in fire or water. Batteries could rupture or leak, causing fire, injury or stains around them.
- If the battery fluid leaks, wipe away any fluid on the battery case before inserting new batteries. If the battery fluid gets in an eye, it could cause loss of eyesight. If fluid does enter an eye, wash it out thoroughly with clean water without rubbing the eye and then consult a doctor immediately. If the fluid gets on a person's body or clothing, it could cause skin injuries or burns. If this should happen, wash it off with clean water and then consult a doctor immediately.
- The unit power should be off when you install and replace batteries.
- Remove the batteries if you do not plan to use the unit for a long time. Batteries could rupture or leak, causing fire, injury or stains around them. If the battery fluid leaks, wipe away any fluid on the battery compartment before inserting new batteries.
- Do not disassemble a battery. The acid inside the battery could harm skin or clothing.

CAUTION

- DO NOT REMOVE THE EXTERNAL CASES OR CABINETS TO EXPOSE THE ELECTRONICS. NO USER SERVICEABLE PARTS ARE INSIDE.
- IF YOU ARE EXPERIENCING PROBLEMS WITH THIS PRODUCT, CONTACT THE STORE WHERE YOU PURCHASED THE UNIT FOR A SERVICE REFERRAL. DO NOT USE THE PRODUCT UNTIL IT HAS BEEN REPAIRED.
- USE OF CONTROLS OR ADJUSTMENTS OR PERFORMANCE OF PROCEDURES OTHER THAN THOSE SPECIFIED HEREIN MAY RESULT IN HAZARDOUS RADIATION EXPOSURE

The nameplate is located on the bottom of the unit as shown below.



蒂雅克株式会社

<https://tascam.jp/jp/>

电话: +81-42-356-9143

1-47 Ochiai, Tama-shi, Tokyo 206-8530 Japan

蒂雅克商贸(深圳)有限公司

<https://tascam.cn/cn/>

电话: +86-755-88311561~2

中国广东省深圳市福田区深南大道南泰然九路西喜年中心A座817室, 邮编: 518040