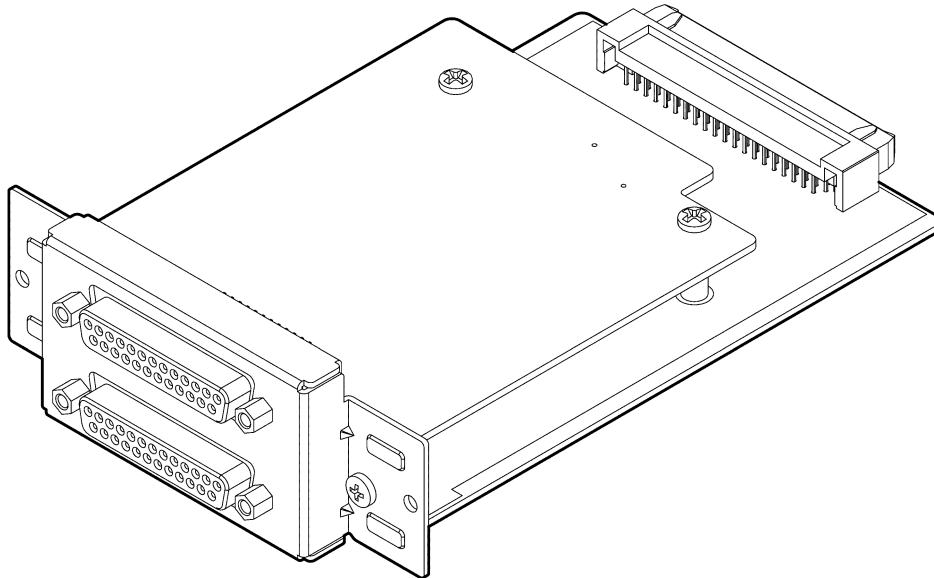


Nov, 2016

Product Spec Sheet
ANALOG OUTPUTS INTERFACE CARD
IF-AN16/OUT

**■ Specifications****Ratings****•Formats and channels**

16 channels at 44.1/48/88.2/96kHz, 16-bit/24-bit

Analog audio output ratings**•ANALOG 1-8 / 9-16 OUT connectors**

Connector:	D-Sub 25-pin
Locking screws:	No. 4-40 UNC (inch type)
Nominal output levels:	+4 dBu, +6 dBu (only when maximum output level is +15 dBu)
Maximum output levels:	+24 dBu, +22 dBu, +20 dBu, +18 dBu, +15 dBu (Switched according to nominal level of device installed in)
Output impedance:	200 Ω or lower
Output attenuation:	0 to -14 dB (in 0.5dB steps)

•Applicable load impedance : 2 k Ω or higher

•0dBu = 0.775Vrms

Audio performance**•Frequency response**

+0.1 dB/-0.5 dB: 20 Hz/20 kHz (-16 dBFS input, 44.1/48kHz sampling frequency, JEITA)

+0.1 dB/-1.0 dB: 20 Hz/40 kHz (-16 dBFS input, 88.2/96kHz sampling frequency, JEITA)

•Distortion (THD+N)

0.001% or less

(0 dBFS input, 1kHz, 44.1/48/88.2/96kHz sampling frequency, JEITA)

•S/N ratio

110 dB or higher

(44.1/48/88.2/96kHz sampling frequency, JEITA)

• **Dynamic range**

110 dB or higher
(44.1/48/88.2/96kHz sampling frequency, JEITA)

• **Crosstalk**

110 dB or higher
(1 kHz, 44.1/48/88.2/96kHz sampling frequency, JEITA)

• When output attenuation set to 0 dB

Other

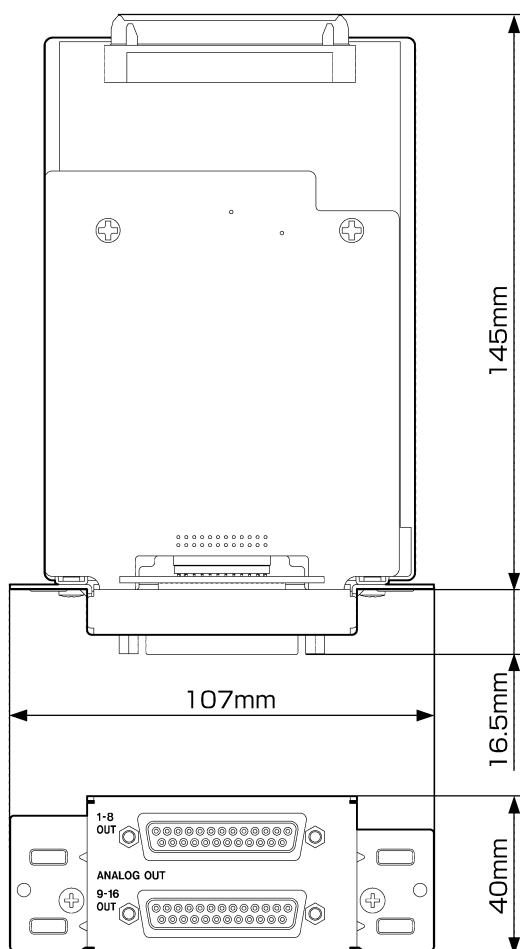
• **Dimensions**

107 x 40 x 161.5 mm (width × height × depth, including protrusions)

• **Weight**

240g

■ **Dimensional drawings**



※TASCAM is trademark of TEAC CORPORATION, registered in the U.S. and other countries.

※Other company names, product names and logos are the trademarks or registered trademarks of their owners.

※Specifications and appearance are subject to change without notice.

※All information included in this document is as of Nov, 2016.