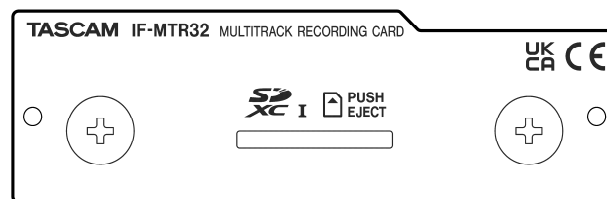
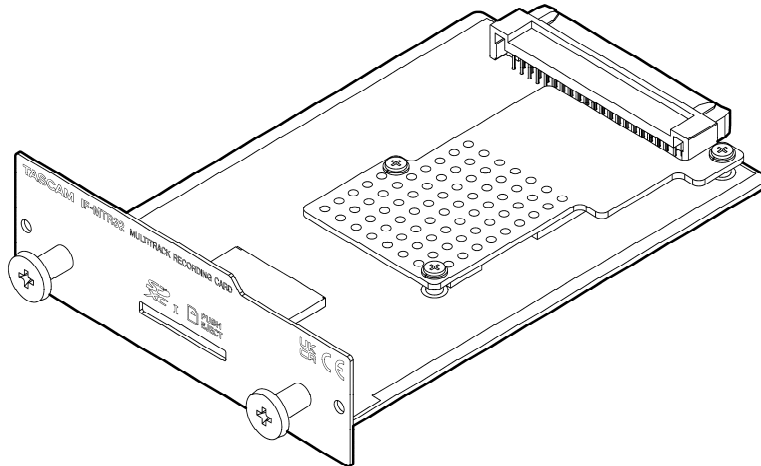


Dec, 2022

Product Spec Sheet
IF-MTR32
MULTITRACK RECORDING CARD

**【Specifications and rated values】****Recorder specifications****Recording media**

SDHC cards (8–32 GB, UHS-I or faster)

SDXC cards (64–512 GB, UHS-I or faster)

NOTE

A list of SD cards that have been confirmed for use with this unit can be found on our web site. Please access to a product page of this product from the TEAC Global Site (<https://teac-global.com>) to find the list or contact the TASCAM customer support service.

File System

SDHC card: FAT32

SDXC card: exFAT

Recording/playback formats

BWF/WAV (recording is always BWF), monophonic

Sampling frequency

48 or 96 kHz

Number of recording tracks

32 at 48kHz or 16 at 96kHz

Quantization bit depth

When recording: 24bit, 32bit

When playing: 16bit, 24bit, 32bit

Maximum recording time

File format used	Media capacity			
	64GB	128GB	256GB	512GB
48kHz/24-bit/32-track	3h 49m	7h 41m	15h 23m	30h 49m
48kHz/32-bit/32-track	2h 52m	5h 45m	11h 32m	23h 07m
96kHz/24-bit/16-track	3h 50m	7h 41m	15h 24m	30h 50m
96kHz/32-bit/16-track	2h 52m	5h 46m	11h 33m	23h 08m

- The recording times shown above are estimates. They might differ depending on the media used.
- The recording times shown above are not continuous recording times, but rather they are the total possible recording times for the media.

【Other】

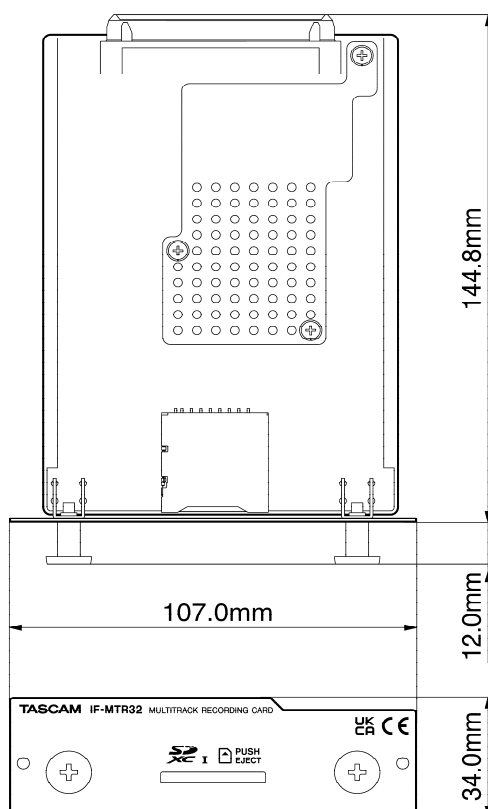
External dimensions

107 × 34 × 156.8 mm (width × height × depth, including protrusions)

Weight

130 g

【Dimensional drawings】



※TASCAM is trademark of TEAC CORPORATION, registered in the U.S. and other countries.

※Other company names, product names and logos are the trademarks or registered trademarks of their owners.

※Specifications and appearance are subject to change without notice.

※All information included in this document is as of Dec, 2022.