

# TASCAM

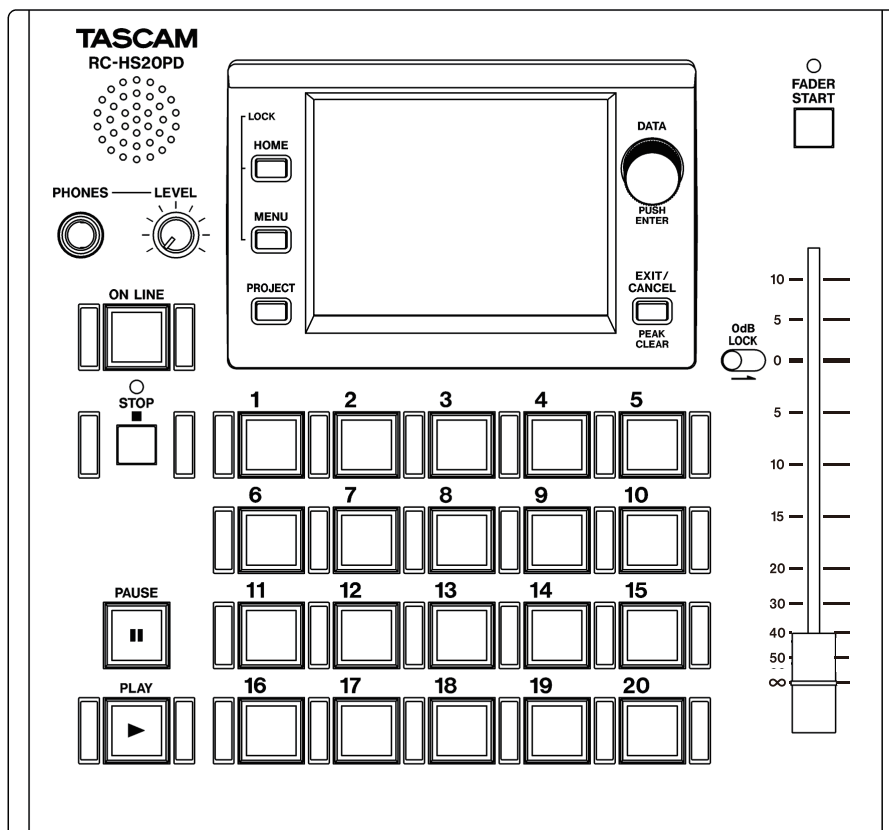
TEAC PROFESSIONAL

D01107320A

# RC-HS20PD

## Remote Control Unit

### OWNER'S MANUAL



# Contents

<b>1 – Introduction .....</b>	<b>3</b>
Features .....	3
Included items .....	3
About this manual .....	3
Trademarks.....	3
Precautions for placement and use.....	3
Beware of condensation.....	4
Cleaning the unit.....	4
<b>2 – Names and Functions of Parts .....</b>	<b>5</b>
Top panel .....	5
Rear panel.....	6
Using a commercially-available cable .....	7
<b>3 – Preparations .....</b>	<b>8</b>
Connecting to an HS-8.....	8
Attaching the ferrite core to the HS-8 power cable	8
Using the HS-8 SIGNAL GND terminal.....	8
Setting the HS-8 .....	8
<b>4 – Playback.....</b>	<b>9</b>
Normal playback .....	9
Flash playback.....	9
Fader start function.....	9
Turning on line playback mode on/off.....	9
<b>5 – Specifications .....</b>	<b>10</b>
Analog audio output .....	10
General .....	10
Dimensional drawing .....	10

## 产品有毒有害物质或元素的名称及含量

机种：RC-HS20PD		有毒有害物质或元素					
	品名	铅 (Pb)	汞 (Hg)	镉 (Cd)	六价铬 (Cr(VI))	多溴联苯 (PBB)	多溴二苯醚 (PBDE)
1	CHASSIS部份	×	○	○	○	○	○
2	线材部份	○	○	○	○	○	○
3	PCB Assy部份	×	○	○	○	○	○
4	电源部份	×	○	○	○	○	○
5	附属品部份	○	○	○	○	○	○
6	SEAL部份	○	○	○	○	○	○
7	包装部份	○	○	○	○	○	○

○：表示该有毒有害物质在该部件所有均质材料中的含有量均在 SJ/T11363-2006 标准规定的限量要求以下。

×：表示该有毒有害物质至少在该部件的某一均质材料中的含量超出 SJ/T11363-2006 标准规定的限量要求。

(针对现在代替技术困难的电子部品及合金中的铅)

Thank you very much for purchasing the TASCAM RC-HS20PD Remote Control Unit.

This unit is a wired remote control that connects to the **REMOTE** connector of a TASCAM HS-8 unit to allow the playback takes to be initiated directly and for on line transmission control. By connecting this unit to an HS-8, you will have the ability at your fingertips to start playback directly and control on line transmission functions easily.

Before connecting and using the unit, please take time to read this manual thoroughly to ensure you understand how to properly set up and connect the unit, as well as the operation of its many useful and convenient functions. After you have finished reading this manual, please keep it in a safe place for future reference.

You can also download the Owner's Manual from the TASCAM web site (<http://www.tascam.com>).

---

## Features

---

- Direct playback start of up to 100 takes
- Instantaneous playback start using the flash start function
- Built-in TFT color touch panel can be used for the same operations as the display on the connected HS-8 unit
- 20 take playback keys that light automatically
- **PLAY** and **PAUSE** keys also light automatically and the **STOP** key has an indicator
- Fader allows sound output level to be adjusted and includes fader start/stop functions and a **0dB LOCK** switch
- **ON LINE** key lights automatically and can be used to turn on line transmission ON/OFF
- Monitoring speaker and phone jack with a level knob to control them

---

## Included items

---

The included items are listed below.

Take care when opening the package not to damage the items. Keep the package materials for transportation in the future.

Please contact the store where you purchased this unit if any of these items are missing or have been damaged during transportation.

- Remote control unit (RC-HS20PD) ..... 1
- Connecting cable (5 m)..... 1
- Ferrite core ..... 1
- Cable bands ..... 3
- A warranty card ..... 1
- Owner's manual (this manual) ..... 1

---

## About this manual

---

In this manual, we use the following conventions:

- The names of keys and controls are given in the following typeface: **MENU**.
- Messages on the unit's display are shown like this: **ON**
- Additional information is introduced in the styles below when needed:

### NOTE

*Explanation of actions in special situation and supplement.*

### CAUTION

*Instructions that should be followed to avoid injury, damage to the unit or other equipment.*

---

## Trademarks

---

- TASCAM is a trademark of TEAC Corporation, registered in the U.S. and other countries.
- Other company names, product names and logos in this document are the trademarks or registered trademarks of their respective owners.

---

## Precautions for placement and use

---

- The operating temperature should be between 5°C and 35°C (41°F and 95°F).
- Do not install in the following types of places. Doing so could degrade the sound quality and/or cause malfunctions.
  - Places with significant vibrations or that are otherwise unstable
  - Near windows or other places exposed to direct sunlight
  - Near heaters or other extremely hot places
  - Extremely cold places
  - Places with bad ventilation or high humidity
- Hum might occur if a powered amplifier or other device with a large transformer is used near this unit. If this should happen, try increasing the distance between this unit and that device and changing their orientations.
- Uneven colors might appear on televisions and noise might be heard from radios that are used near this unit. If this should happen, use the unit further from the affected device.
- Noise might be heard from this unit if a mobile telephone or other wireless device is used nearby during calls and when data is transmitted and received. If this should happen, use that device farther from the unit or turn its power off.

# 1 – Introduction

- Make sure that the unit is mounted in a level position for correct operation.
- Do not place any object on the unit for heat dissipation.
- Avoid installing this unit on top of any heat-generating electrical device such as a power amplifier.

---

## Beware of condensation

---

If the unit is moved from a cold to a warm place, or used immediately after a cold room has been heated or otherwise exposed to a sudden temperature change, condensation could occur. Should this happen, leave the unit for one or two hours before turning the unit on.

---

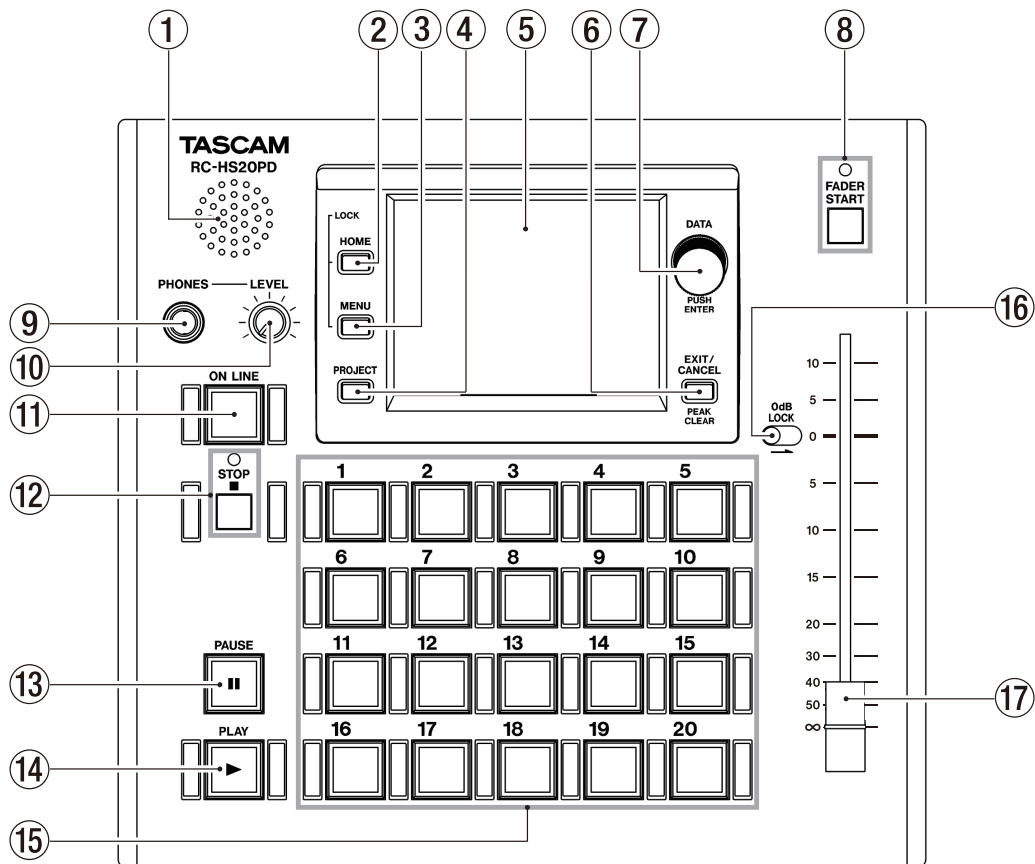
## Cleaning the unit

---

To clean the unit, wipe it gently with a soft dry cloth. Do not wipe with chemical cleaning cloths, benzene, paint thinner, ethyl alcohol or other chemical agents to clean the unit as they could damage the surface.

## 2 – Names and Functions of Parts

### Top panel



- ① Speaker**  
Use this speaker for monitoring.  
When headphones are connected to the **PHONES** jack, no sound is output from the speaker.
- ② HOME key**  
This opens the Home Screen and has the same function as the **HOME** key on the HS-8.
- ③ MENU key**  
This opens the **MENU** screen and has the same function as the **MENU** key on the HS-8.
- ④ PROJECT key**  
This opens the **PROJECT** screen and has the same function as the **PROJECT** key on the HS-8.
- ⑤ Color display**  
This 3.5-inch TFT color display with 320 x 240 resolution is touch sensitive.  
This display shows the same information and operates the same way as the color display on the main unit.
- ⑥ EXIT/CANCEL [PEAK CLEAR] key**  
Use this to cancel input and the selection of items.  
This has the same function as the **EXIT/CANCEL** key on the HS-8.
- ⑦ DATA dial**  
Turn to use as a **DATA** dial, and press to use as an **ENTER** key.  
This has the same function as the **DATA** dial on the HS-8.  
Turn the dial while pressing and holding the **HOME** key to adjust the brightness of the color display, the **PAUSE**, **PLAY**, flash playback (1–20) and **ON LINE** keys, and the **STOP** and **FADER START** indicators.  
Push and turn the **DATA** dial while pressing and holding the **HOME** key to adjust only the brightness of the color display.
- ⑧ FADER START key/indicator**  
Press to turn the fader start function ON/OFF.  
When ON, the indicator above the key lights.
- ⑨ PHONES jack**  
Connect stereo headphones to this standard stereo phone jack that outputs the monitoring signal.

#### CAUTION

*Before connecting headphones, turn the LEVEL knob to the minimum volume. Failure to do so could cause sudden loud noises to occur, which might damage your hearing or equipment.*

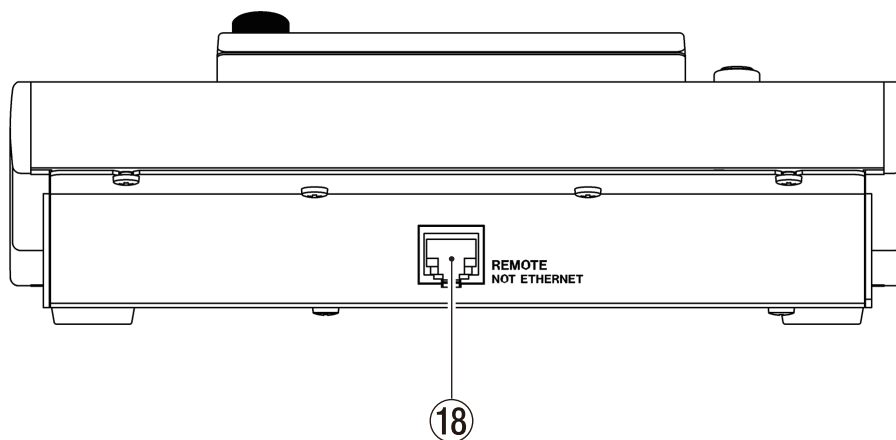
## 2 – Names and Functions of Parts

- ⑩ **LEVEL knob**  
Use this to adjust the output level sent to the speaker or headphones connected to the **PHONES** jack.
- ⑪ **ON LINE key/indicator**  
Switch on line playback mode ON/OFF.  
Lights when ON, and is unlit when off.  
In order to use on line function, you must also set the HS-8. (See “Activating online playback mode” of “9 – Online functions” in the HS-8 Owner’s Manual.)
- ⑫ **STOP key/indicator**  
Press to stop playback.  
When stopped, the indicator above it lights.
- ⑬ **PAUSE key/indicator**  
Press this key during playback or when stopped to put the unit in playback standby. This key lights when in standby.
- ⑭ **PLAY key/indicator**  
Press this key when stopped or during playback standby to start playback. During playback, the key lights.
- ⑮ **1–20 keys/indicators (flash playback keys)**  
Press to play the take assigned to the corresponding key on the currently selected page of the Flash Start screen.  
Press a key that is lit to start playback of that take immediately (flash playback). Keys that are lit correspond to keys on the selected Flash Start screen that have flash-loaded takes.  
When takes are on the selected Flash Start screen, the corresponding key blinks rapidly during playback and blinks slowly during playback standby.
- ⑯ **0dB LOCK switch**  
Engage this switch to prevent the fader from going above 0dB.
- ⑰ **Fader**  
Use this to adjust the sound output level.  
When the fader start function is ON, if you lower the fader completely (move it to the “∞” position), playback will pause to put the unit into playback standby. During playback standby, raising the fader above “∞” starts playback.

---

### Rear panel

---



- ⑱ **REMOTE connector**  
Use the included cable to connect this unit with an HS-8.

#### CAUTION

- The REMOTE connector is not an Ethernet (LAN) connector. Never connect a cable that is connected to a network.
- Always turn the HS-8 unit power OFF before connecting or disconnecting a cable. Connecting a cable while the power is ON could cause damage.

---

### Using a commercially-available cable

---

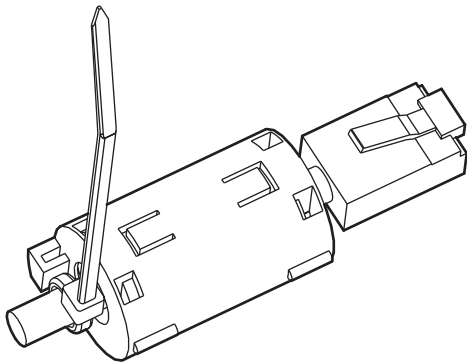
Under ordinary circumstances, use the dedicated connection cable (5 m) that is included with the unit.

If the included dedicated cable is not long enough or there is some other problem, use a commercially-available category 6 LAN cable with straight wiring. When doing so, however, make certain that the cable meets the following requirements.

- Always use a shielded cable.
- The maximum cable length is 10 m.

Moreover, you must make the following enhancement to the cable that you use.

- 1 Remove the ferrite cores (2) that are attached to the connection cable included with the unit, and attach them to both ends of the cable that is to be used.**
- 2 Tie the included bands to the cable near the ends of the ferrite cores so that the cores do not move away from the ends of the cable.**



# 3 – Preparations

## Connecting to an HS-8

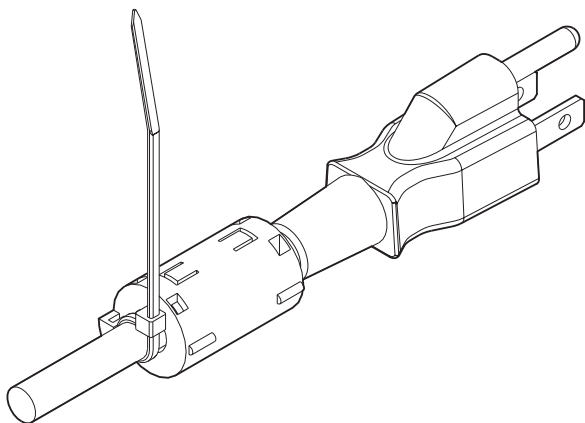
Use the included cable to connect the **REMOTE** connector on the rear panel of this unit with the HS-8's **REMOTE** connector.

### CAUTION

- The **REMOTE** connector is not an Ethernet (LAN) connector. Never connect a cable that is connected to a network to this unit or an HS-8.
- Always turn the HS-8 unit power **OFF** before connecting or disconnecting a cable. Connecting a cable while the power is **ON** could cause damage.

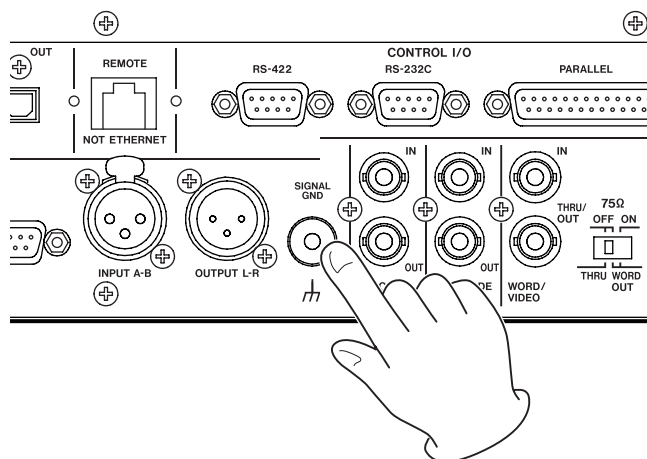
## Attaching the ferrite core to the HS-8 power cable

Attach the included ferrite core to the HS-8 power cable as shown below for the stable operation of this unit.



## Using the HS-8 SIGNAL GND terminal

Depending on the operating conditions, flicker might appear on the color display of this unit or noise might be heard in the monitoring sound. Should this occur, use the **SIGNAL GND** terminal on the rear panel of the HS-8. (Please prepare a cable to connect to the **SIGNAL GND** terminal. No cable is provided with the unit.)



## Setting the HS-8

### 1 Make the following settings to the HS-8 unit as necessary.

- Online function

If the online function is set to Enable, this unit's **ON LINE** key is enabled, and on line playback can be turned **ON** (on line playback) or **OFF** (monitor playback).

If the on line function is set to Disable, this unit's **ON LINE** key is disabled, and sound is always output from all the output connectors.

For details about setting the online function, see "Enabling online functions" of "9 – Online functions" in the HS-8 Owner's Manual.

- Play Mode

Set the play mode as desired.

In One Take mode, playback stops after playing a single take. In All Take mode, all the takes in the folder are played in succession.

For details about play mode settings, see "GENERAL page" of "6 – Internal Settings and Operations" in the HS-8 Owner's Manual.

### 2 Select the folder to play.

See "Loading folders" of "5 – Projects" in the HS-8 Owner's Manual.



---

## Normal playback

---

Use the **PLAY**, **PAUSE** and **STOP** keys on the top panel for ordinary transport operations.

- 1 **Select the folder that contains the take you want to play.**
- 2 **Select the take that you want to play.**
- 3 **Press the PLAY key to start playback of that take.**  
The **PLAY** key lights.
- 4 **Press the STOP key to stop playback.**  
The indicator above the **STOP** key lights.
- 5 **Press the PAUSE key to put the unit into playback standby.**  
The **PAUSE** key lights.

---

## Flash playback

---

- 1 **Select the folder that contains the take you want to play.**
- 2 **On the Home Screen, press the HOME key to open the Home (Flash Start) Screen.**
- 3 **Turn the DATA dial to display the page that contains the take that you want to play.**
- 4 **Touch the FLASHLOAD button on the screen or press the DATA dial to execute flash loading.**  
Keys that correspond to takes that are enabled for flash playback light.
- 5 **Press the flash playback key that corresponds to the take that you want to play. Playback starts immediately and the key that corresponds to the take that is playing blinks rapidly.**
- 6 **Press the STOP key to stop playback.**
- 7 **Press the PAUSE key to put the unit into playback standby. The key that corresponds to the take that had been playing back blinks slowly.**
- 8 **If you press the flash playback key for a take other than the one currently playing, the take that corresponds to that key starts playing. If that take has been flash-loaded, it will start playing immediately (flash playback).**  
If the take has not been flash-loaded, it will start ordinary playback.

---

## Fader start function

---

When the fader start function is ON, lowering the volume with the fader to “∞” puts the unit into playback standby (fader stop).

Raise the fader to start playback (fader start).

- 1 **Press the FADER START key to turn the fader start function ON. (When ON, the FADER START indicator lights.)**
- 2 **Lower the fader to “∞” and press the PAUSE key to put the unit into playback standby.**
- 3 **Raise the fader (move it in the direction from “∞” toward “10dB”) to start playback.**
- 4 **During playback, lower the fader to “∞” to put the unit into playback standby.**

### NOTE

*When a track has been paused by lowering the fader (fader stop), if another take is selected using a flash playback key, that take is put into playback standby at its beginning. Raising the fader starts playback.*

---

## Turning on line playback mode on/off

---

When the online function is activated, pressing the **ON LINE** key turns the on line playback mode on/off.

Depending on whether on line playback is on or off, how sound is output and operation restrictions differ. For details, see “Activating online playback mode” of “9 – Online functions” of the HS-8 Owner’s Manual.

# 5 – Specifications

## Analog audio output

### Speaker (mono)

Maximum output: 500 mW

### PHONES connector

Connector: 6.3 mm (1/4") standard stereo jack

Maximum output: 45 mW + 45 mW

(THD+N 0.15% or less, into 32Ω)

## General

### Power voltage

DC13V (provided by the main unit)

### Power consumption

160 mW or less

### Dimensions (W x H x D)

216 x 75.1 x 200 mm

8.504 x 2.957 x 7.874 in.

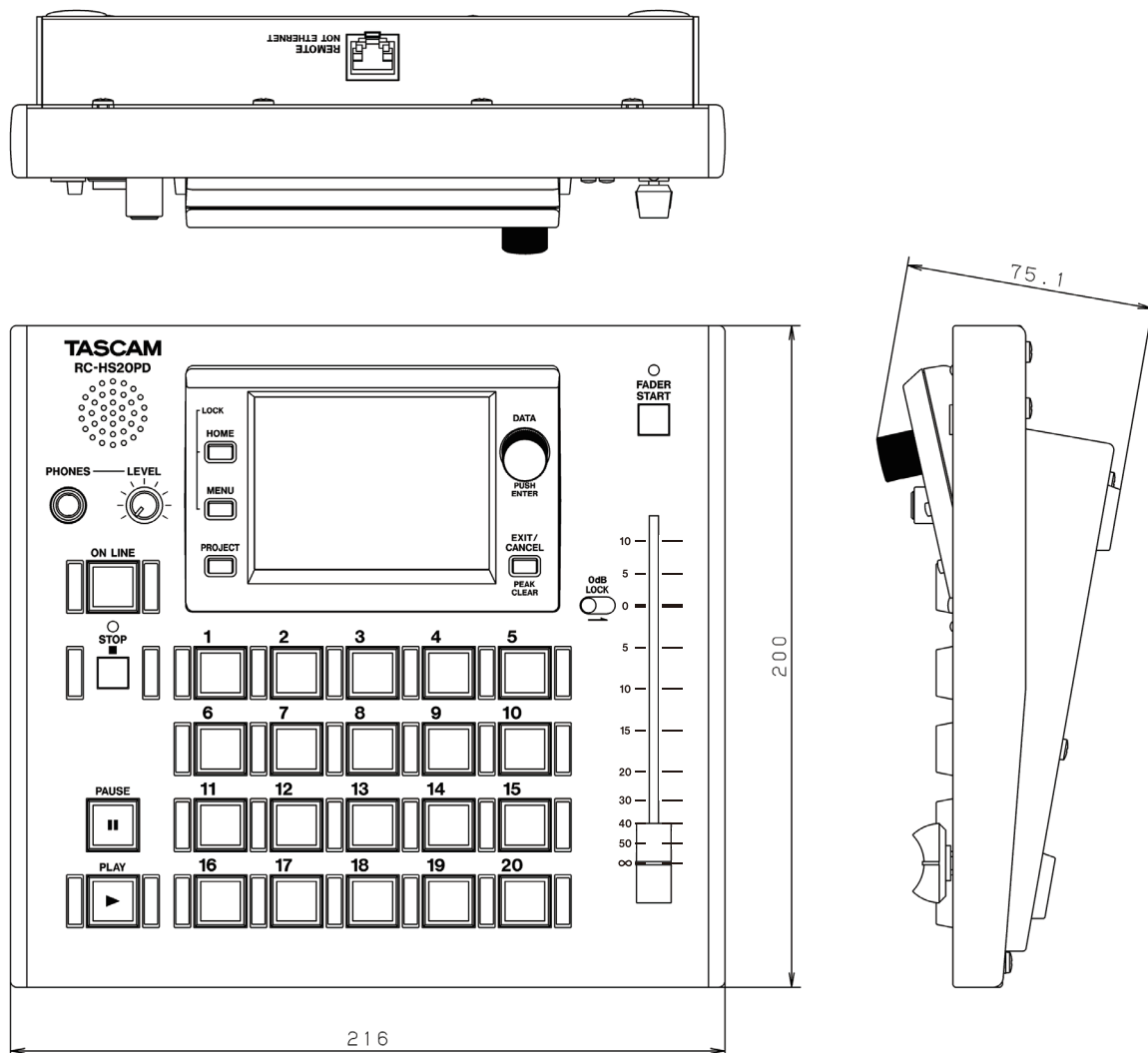
### Weight

1.4 kg/3.086 lb

### Operating temperature range

5–35°C/41–95°F

## Dimensional drawing



- Illustrations in this manual may differ in part from the actual product.
- Specifications and the external appearance may be changed without notification to improve the product.



# TASCAM

TEAC PROFESSIONAL

# RC-HS20PD

## TEAC CORPORATION

Phone: +81-42-356-9143

1-47 Ochiai, Tama-shi, Tokyo 206-8530, Japan

[www.tascam.jp](http://www.tascam.jp)

---

## TEAC AMERICA, INC.

Phone: +1-323-726-0303

7733 Telegraph Road, Montebello, California 90640 USA

[www.tascam.com](http://www.tascam.com)

---

## TEAC CANADA LTD.

Phone: +1905-890-8008 Facsimile: +1905-890-9888

5939 Wallace Street, Mississauga, Ontario L4Z 1Z8, Canada

[www.tascam.com](http://www.tascam.com)

---

## TEAC MEXICO, S.A. de C.V.

Phone: +52-55-5010-6000

Río Churubusco 364, Colonia Del Carmen, Delegación Coyoacán, CP 04100, México DF, México

[www.teacmexico.net](http://www.teacmexico.net)

---

## TEAC UK LIMITED

Phone: +44-8451-302511

Suites 19 & 20, Building 6, Croxley Green Business Park, Hatters Lane, Watford, Hertfordshire, WD18 8TE, UK

[www.tascam.co.uk](http://www.tascam.co.uk)

---

## TEAC EUROPE GmbH

Phone: +49-611-71580

Bahnstrasse 12, 65205 Wiesbaden-Erbenheim, Germany

[www.tascam.de](http://www.tascam.de)