

PRODUCT OVERVIEW

TASCAM's stand alone duplicators employ high-speed, reliable TEAC drives for dependable performance in critical professional settings. The CD-D11U is a 1x1 duplicator with a USB 2.0 jack for computer connection and RCA outputs to check the source disk before duplication. The CD-D13 is an affordable, high-speed 1x3 duplicator for studios, churches and other installations. The CD-D17HD 1x7 duplicator includes a hard drive for ultra-fast copies compared to using a CD drive. Any one of these duplicators



is perfect for churches, software duplication, and other applications that demand fast, reliable duplication.

CD-D11U Features

1x1 CD Duplication using reliable TEAC drives.
52x CD drives
USB 2.0 jack for connecting to Mac & Windows computers
RCA audio output and CD playback function for checking the source media before duplication
6.7 x 7.5 x 11.2 (H x W x D) Inches
11.65 lbs.

CD-D13U Features

1x3 CD duplication using reliable TEAC drives
52x CD drives
10.5 x 7.5 x 17.25 (H x W x D) Inches
22 lbs.
Operates on either 11VAC or 220VAC

MSRP	CD-D11	\$399.00
	CD-D13	\$799.00
	CD-D17HD	\$1,499.00

CD-D17HD Features

1x7 CD duplication using reliable TEAC drives.
52x CD drives
Built in 80GB Hard Drive to use as a source master for higher speed copies than working from a CD or DVD drive
Hard Drive acts as an archive for projects that are burned again and again.
17.25 x 7.5 x 18 (H x W x D) Inches
38.5 lbs.
Operates on either 11VAC or 220VAC

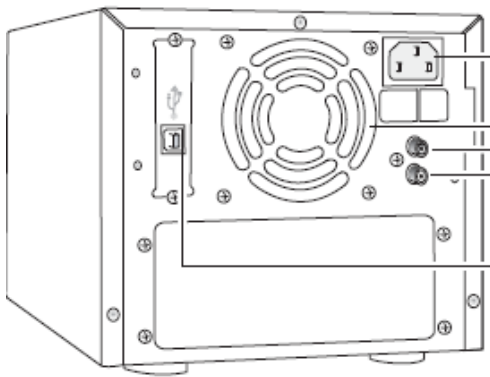
CONSULTANT'S AND SYSTEM DESIGN SPECIFICATIONS

The TASCAM **CD-D11U** is a 1x1 duplicator which incorporates a rugged high-speed TEAC drive. It performs continuous copy and automatically identifies source CD formats and replicates content as required. Replication speed for a 700MB CD to CD-R disc is just over three minutes and the CD-D11U duplicates CD-RW media up to 32X speed. The **CD-D11U** features a hot-swappable USB port which can be connected to a computer's USB version 2.0 port for data transfer. **CD-D11U** outputs a line level signal from a left and right RCA (unbalanced) connectors on the rear panel.

The **CD-D13U** is a 1x3 stand alone duplicator which incorporates a rugged 52x TEAC drive. It performs continuous copy and automatically identifies source CD formats and replicates content as required. It can duplicate a single master CD to CD-R media at up to 52X speeds and CD-RW media at up to 32X speeds. The duplicator performs continuous copy and automatically identifies source CD formats and replicates content as required.

The **CD-D17HD** is a 1x7 stand alone duplicator which incorporates a rugged 52x TEAC drive and internal 80GB hard-drive. It can duplicate a single master CD to CD-R media at up to 52X speeds and CD-RW media at up to 32X speeds. It performs continuous copy and automatically identifies source CD formats and replicates content as required. The CD-D17HD performs continuous copy and automatically identifies source CD formats and replicates content as required.

PANELS CD-D11U

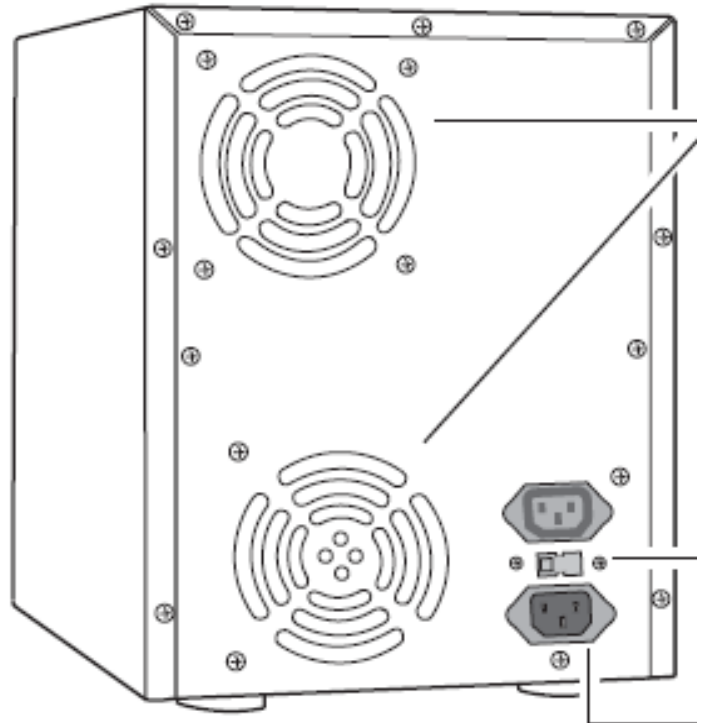
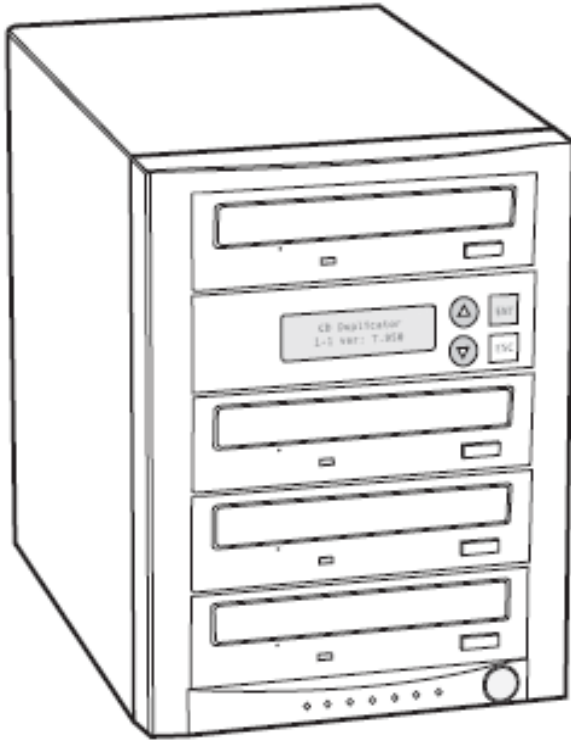


SPECIFICATIONS CD-D11U

CD Recorder	TEAC 52x32x52 CD-RW
Drive Interface	IDE / ATAPI
Read Speed	52x
Write Speed	CD-R: 52x CD-RW: 32x
Drive Buffer Size	2MB
System Buffer Size	8MB
Supported Discs	CD-R, CD-RW (12 & 8cm), card discs
Supported Formats	CD-ROM Mode 1 & 2; CD-DA; CD-ROM/XA Video CD, Game CD Mix Mode, Multi-session, HFS CD Bridge, Photo CD; CD Extra, CD+G (Karaoke), CD-R, CD-RW
System Control	Copy and Search Buttons
System Display	LCD Panel; LED Indicator
Write Method	Auto Detect (DAO, TAO)
Operation Mode	Copy, Test, Scan, Compare
Firmware Upgrade	Via CD-ROM
Dimension	6.7 x 7.5 x 11.2 (H x W x D) Inches
Weight	11.65 lbs.
Power Supply	AC Input: 100~240V
Agency Certification	FCC, UL

Note: If you plan to use the TASCAM CD Duplicator with a computer, connect the CD Duplicator to only UL Listed IBM PC (or compatible) or Macintosh computers that feature a USB (Universal Serial Bus) port, version 2.0.

PANELS



SPECIFICATIONS

Model

HDD Capacity

Weight

Dimensions (HxWxD)

CD Recorders

Drive Interface

Read Speed

Write Speed

Drive Buffer Size

System Buffer Size

System Control

System Display

Write Method

Operation Mode

Firmware Upgrade

Power Supply

Agency Certification

Supported Discs

Supported Formats

CD-D13

None

22 lbs.

10.5" x 7.5" x 17.25"

TEAC 52x32x52 CD-RW

IDE / ATAPI

52x

CD-R: 52X, CD-RW: 32X

2MB

8MB

Copy and Search Buttons

LCD Panel; LED Indicator

Auto Detect (DAO, TAO)

Copy, Test, Scan, Compare

Via CD-ROM

AC Input: 115 - 230V

FCC, UL

CD-R, CD-RW (12 & 8cm), card discs

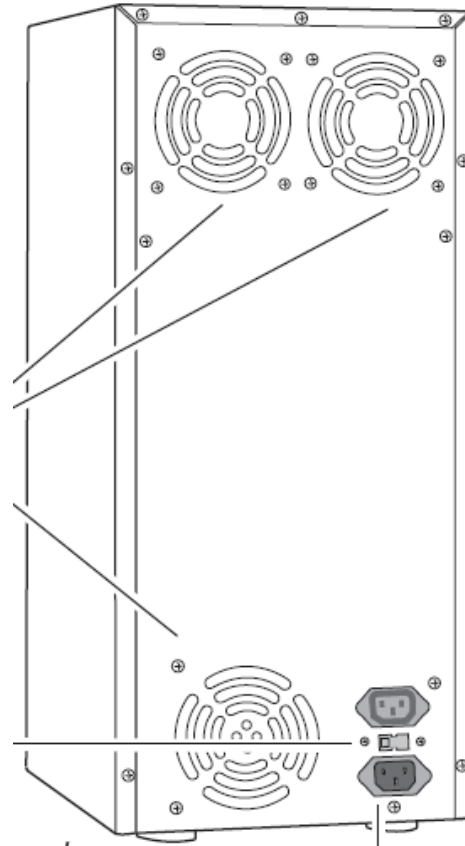
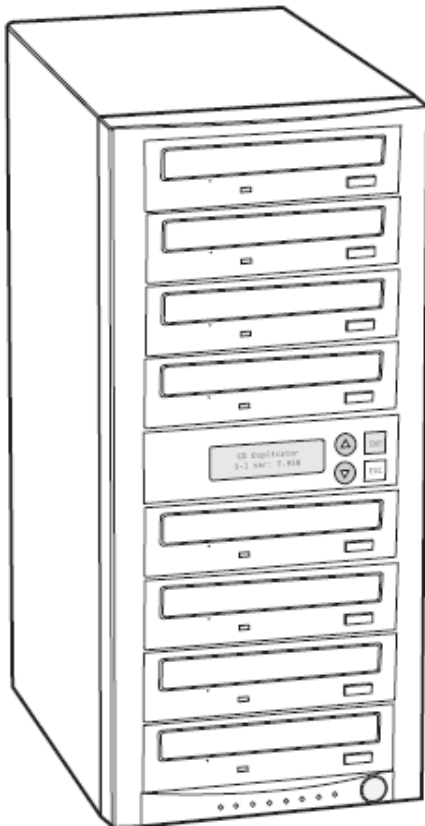
CD-ROM Mode 1 & 2; CD-DA; CD-ROM/XA, Game

CD Mix Mode, Multi-session, HFS CD Bridge, CD

Extra, CD+G (Karaoke), CD-R, CD-RW, Photo CD (slower

speed); Video CD (slower speed)

PANELS



SPECIFICATIONS

Model

HDD Capacity
Weight
Dimensions (HxWxD)
CD Recorders
Drive Interface
Read Speed
Write Speed
Drive Buffer Size
System Buffer Size
System Control
System Display
Write Method
Operation Mode
Firmware Upgrade
Power Supply
Agency Certification

CD-D17HD

80GB
38.5 lbs.
17.25" x 7.5" x 18"
TEAC 52x32x52 CD-RW
IDE / ATAPI
52x
CD-R: 52X, CD-RW: 32X
2MB
8MB
Copy and Search Buttons
LCD Panel; LED Indicator
Auto Detect (DAO, TAO)
Copy, Test, Scan, Compare
Via CD-ROM
AC Input: 115 - 230V
FCC, UL

Supported Discs
Supported Formats

CD-R, CD-RW (12 & 8cm), card discs
CD-ROM Mode 1 & 2; CD-DA; CD-ROM/XA, Game
CD Mix Mode, Multi-session, HFS CD Bridge, CD
Extra, CD+G (Karaoke), CD-R, CD-RW, Photo CD (slower
speed); Video CD (slower speed)