

- OPTIONAL
- RECOMMENDED
- MANDATORY

MMR-8 Parallel Track Record Tally Flash Circuit

DATE: 8/23/99

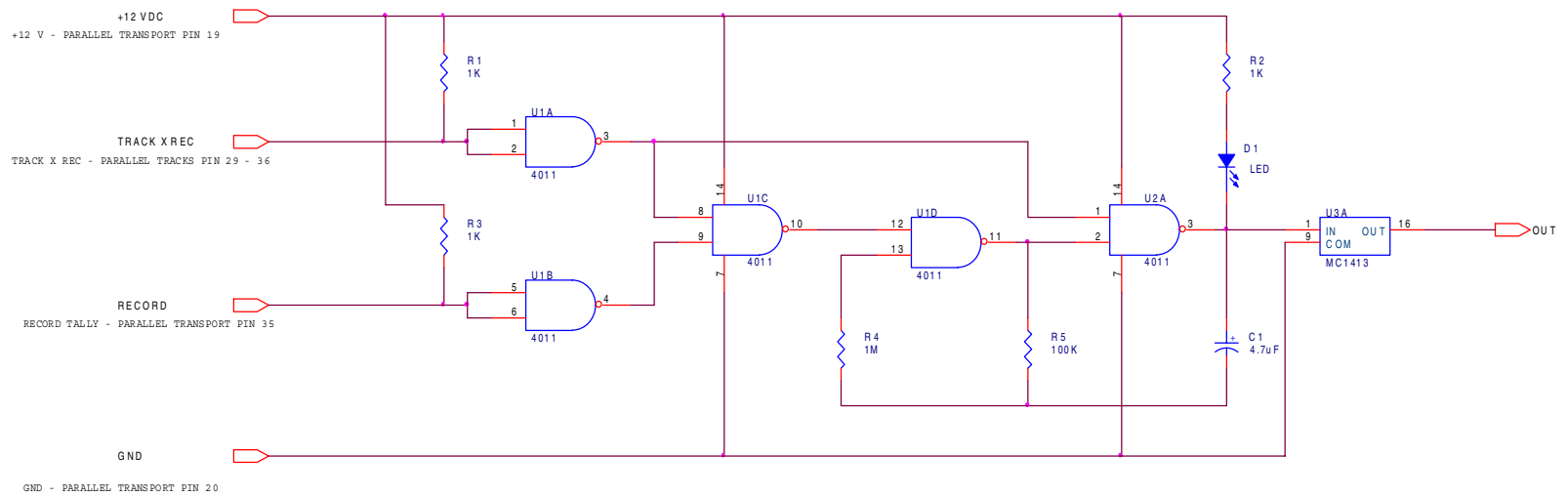
MODEL: MMR-8

DESCRIPTION:

The MMR-8 parallel track record tallies are solid whether the selected tracks are in Record or in Record-Ready Mode. This service bulletin describes the circuit required to make the MMR-8 parallel track record tallies flash when in Record-Ready Mode, and go solid when in Record.

PROCEDURE:

Create the circuit, as diagrammed, in the following schematic. You will need to create a circuit for each track tally that you wish to modify.



U1 - CD4011
 U2 - CD4011
 U3 - MCI 413 OR ULM2003
 ALL RESISTORS +-5%, 1/4 WATT